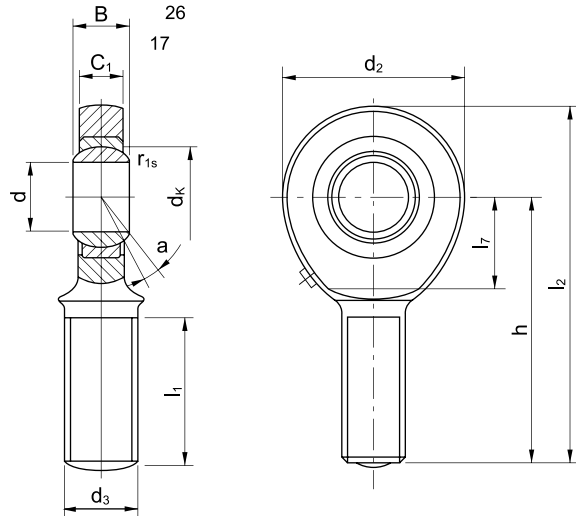


- 軸承附有帶螺紋的伸出杆，螺紋有左、右旋之分。
Bearings with a stretching rod, stretching rod with right or left-hand female thread.
- 由向心關節軸承GE...E或GE...ES和杆端體組裝而成。
It is made up if a spherical plain radial bearing of type GE...E or GE...ES and body.
- 杆端體表面鍍鋅，SA...ES型有潤滑油孔或油杯。
To plate zinc on the surface of rod body, the housing of type SA...ES with a lubrication hole or a grease nipple.



軸承型號 Bearings number	尺寸 Dimensions (mm)												負荷KN Load ratings		重量 Weight (kg)
	d	d ₃	B	C ₁ max	l ₁ max	d ₂ max	l ₇ max	h	l ₂ max	d _k	r _{1s} min	a° ≈	動 C	靜 C ₀	
SA 6E	6	M6×1.0	6	4.4	18	21	12	36	46.5	10	0.3	13	3.40	8.15	0.017
SA 8E	9	M8×1.25	8	6	22	24	14	42	54	13	0.3	15	5.50	12.9	0.029
SA 10E	10	M10×1.5	9	7	26	29	15	48	62.5	16	0.3	12	8.15	17.6	0.051
SA 12E	12	M12×1.75	10	8	28	34	18	54	71	18	0.3	11	10.80	24.5	0.085
SA 15ES	15	M14×2.0	12	10	34	40	20	63	83	22	0.3	8	17.0	36.0	0.14
SA 17ES	17	M16×2.0	14	11	36	46	23	69	92	25	0.3	10	21.2	45.0	0.19
SA 20ES	20	M20×1.5	16	13	43	53	27	78	104.5	29	0.6	9	30.0	60.0	0.31
SA 25ES	25	M24×2.0	20	17	53	64	32	94	125	35.5	0.6	7	48.0	83.0	0.56
SA 30ES	30	M30×2.0	22	19	65	73	37	110	146.5	40.7	0.6	6	62.0	110	0.89
SA 35ES	35	M36×3.0	25	21	82	82	42	140	181	47	0.6	6	80.0	146	1.4
SA 40ES	40	M39×3.0	28	23	86	92	48	150	196	53	0.6	7	100	180	1.8
SA 45ES	45	M42×3.0	32	27	94	102	52	163	214	60	0.6	7	127	240	2.6
SA 50ES	50	M45×3.0	35	30	107	112	60	185	241	66	0.6	6	156	290	3.4
SA 60ES	60	M52×3.0	44	38	115	135	75	210	277.5	80	1.0	6	245	450	5.9
SA 70ES	70	M56×4.0	49	42	125	160	87	235	315	92	1.0	6	315	610	8.2
SA 80ES	80	M64×4.0	55	47	140	180	100	270	360	105	1.0	6	400	750	12.0

若是左旋螺紋，軸承型號和螺紋標記需加“L”和“左”，例如：SAL30ES M30×2左-6g，d≥15也可製造成的-2RS結構，如SA25ES-2RS
For left-hand thread, suffix is added to bearings number and thread sign, e.g. SAL30ES M30×2□□6g, while d≥15 it is also made up of a spherical plain bearing with two seals and rod body, e.g. SA25ES-2RS